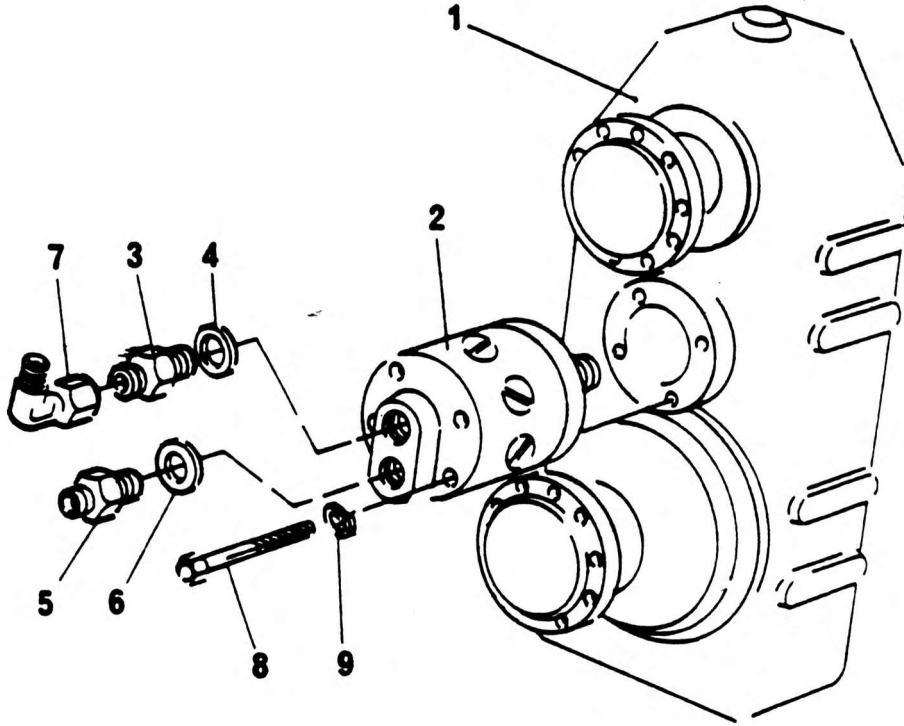


CASE TRANSFER SUB ASSEMBLY



NO.	PART NO	QTY.	DESCRIPTION	NO.	PART NO	QTY.	DESCRIPTION
1 +	7-274-990005	1	Case Transfer				
2 +	7-722-990088	1	Pump Radial Piston				
3	7-443-991229	1	Adaptor M33 x 2 x 11" Jic				
4	8363669	1	Washer				
5	7-443-991190	1	Adaptor M22 x 1.5 x 1/2" Jic				
6	8363668	1	Washer				
7	7-447-161633	1	Elbow				
8	7-126-172850	4	Bolt M8 x 120 Long				
9	7-951-170210	4	Spring Washer M8				

+ See further breakdown in this group

6-274-990009
Issue No. 01